



Features

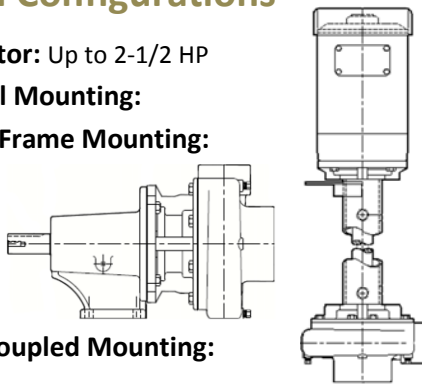
- **Pump Design** – Compact, close coupled
- **Double Seal** – Type 9 & 21 available
- **High Pressure Option** – 300 PSI maximum
- **Teflon Seal** – Type 9 available
- **Flush Options** – Recirculating & Quench available

Applications

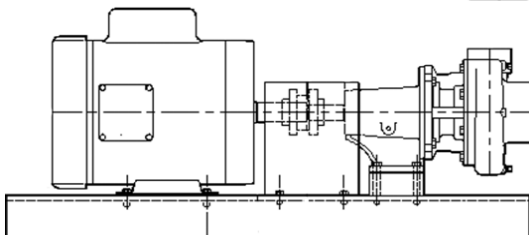
- Waste Water Treatment
- Hot Solvents
- Deionized Water
- Chemical Process
- Plating Equipment
- Agricultural Chemicals

Optional Configurations

- **Air Motor:** Up to 2-1/2 HP
- **Vertical Mounting:**
- **Power Frame Mounting:**



- **Long-Coupled Mounting:**



XT100/150/200

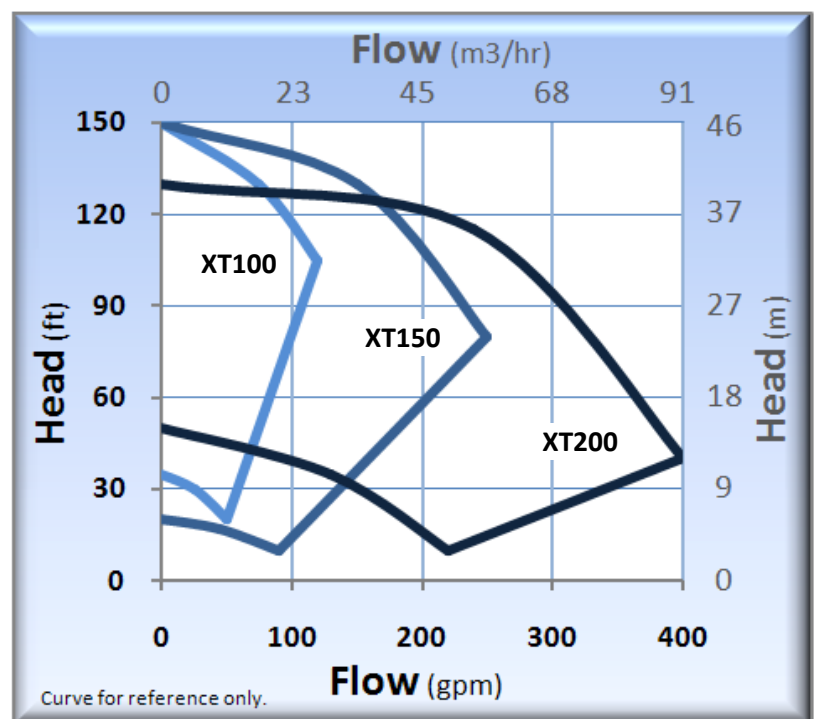
Pump Volute / Impeller Materials

- XT (AI) – Cast Iron / Cast Iron
- XT (BF) – Cast Iron / Bronze
- XT (SF) – Cast Iron / 316SS
- XT (AB) – Bronze / Bronze
- XT (SS) – 316SS / 316SS

Standard Specifications

- XT100 / XT100V Discharge 1" FNPT, Suction 1-1/2" FNPT
 - XT150 / XT150V Discharge 1-1/2" FNPT, Suction 2" FNPT
 - XT200 / XT200V Discharge 2" FNPT, Suction 3" FNPT
 - Maximum Impeller Diameter: 5.98"
 - Shaft Sleeve: 316SS
 - Motor: NEMA JM Face (Multiple enclosures available)
 - Mechanical Seal:
 - Single, 1-1/2" Type 21 Buna, Carbon vs. Ceramic (AI, BF, SF, AB)
 - Single, 1-1/2" Type 21 Viton, Carbon vs. Ceramic (SS)
 - Gasket: Syn. Fiber (AI, BF, AB, SF) and PTFE (SS)
- Note: Additional seal options available*

Performance Curve – 60 Hz



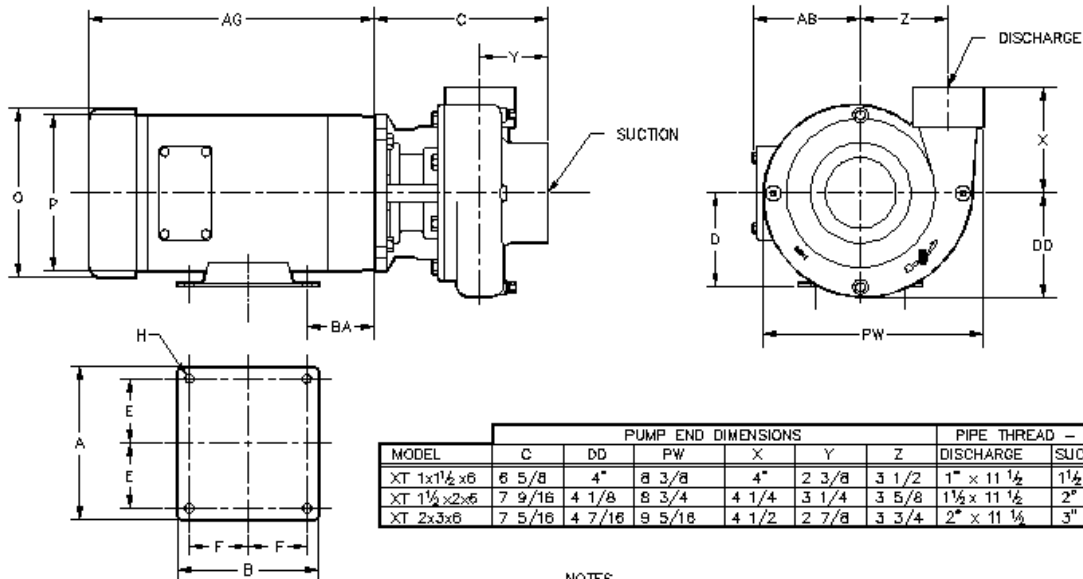
XT100/150/200

Technical Information		
Max Flow	(XT100)	120 GPM (27 m3/hr)
Max Flow	(XT150)	250 GPM (57 m3/hr)
Max Flow	(XT200)	400 GPM (95 m3/hr)
Max Head		150 feet (46 m)
Min. Flow	(XT100)	10 GPM (2.3 m3/hr)
Min. Flow	(XT150)	35 GPM (7.9 m3/hr)
Min. Flow	(XT200)	50 GPM (11.4 m3/hr)
Max Solid Size	(XT100)	0.120" (3.0 mm)
Max Solid Size	(XT150)	0.190" (4.8 mm)
Max Solid Size	(XT200)	0.250" (6.4 mm)
Max Working Pressure	(Type 8 Seal)	325 PSI (22.4 bar)
	(Type 9 Seal)	350 PSI (24.1 bar)
	(Type 21 Seal)	150 PSI (10.3 bar)
	(Type 2 Seal)	300 PSI (20.6 bar)
Max Temp.		300°F (149°C)*

Materials of Construction					
XT	AI	BF	AB	SF	SS
Volute	Cast Iron	Cast Iron	Bronze	Cast Iron	316SS
Impeller	Cast Iron	Bronze	Bronze	316SS	316SS
Bracket	Cast Iron	Cast Iron	Bronze	Cast Iron	316SS
Gasket	Syn. Fiber	Syn. Fiber	Syn. Fiber	Syn. Fiber	Teflon
Fasteners	Steel Plated	Steel Plated	18-8 SS	Steel Plated	316 SS

* Temperature limits are based on standard seal and gasket materials, and will vary according to the liquid being pumped.

Dimensions (XT)



NOTES
ALL DIMENSIONS ARE ROUNDED TO THE NEAREST 1/8 INCH.

HP	RPM	FRM	JM MOTOR END DIMENSIONS							ODP		TEFC & EXP. PRF			
			A	B	D	E	F	H	BA	O	P	AB	AG		
1 1/2	3600	143JM					2								
2	3600	145JM	6-1/2	5-15/16	3-1/2	2-3/4	2-1/2	11/32	2-7/8	8-7/8	6-5/8	5-1/4	8-3/4	6-3/4	11-1/4
3	3600	145JM													
5	3600	182JM	8-1/2	6-1/2	4-1/2	3-3/4	2-1/4	13/32	3-1/2	8-7/16	7-7/8	5-7/8	11-1/8	7-3/8	14-3/4
7 1/2	3600	184JM					2-3/4								
10	3600	213 (W/ 184 FACE)	9-1/2	B	5-1/4	4-1/4	3-1/2	13/32	3-1/8	10-1/16	9-9/16	N/A		7-3/8	14-7/16
15	3600	213 (W/ 184 FACE)													

NOTE: MOTOR DIMENSIONS WILL VARY BY MODEL AND MAKE. DIMENSIONS ARE TO BE USED FOR REFERENCE ONLY.

**Contact factory for special pump configurations,
same day, and next day delivery options.**

PRICE PUMP CO.

21775 Eighth Street East
Sonoma, CA 95476-0329
MAIN (707) 938-8441
TOLL FREE (800) 345-7867
FAX (707) 938-0764
E-mail: sales@pricepump.com
Website: www.pricepump.com

Member of:
Hydraulic INSTITUTE



Rev. A Date: July 2012